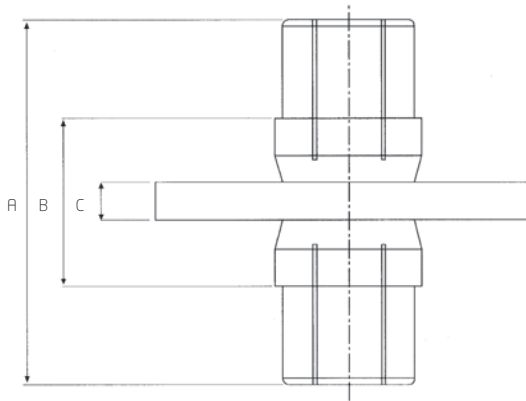


# Inner Supports



## PRODUCT PROFILE

Exir Broadcastings manufactures inner supports for all our rigid lines. The supports are designed to maintain excellent connectivity in rigid line and flanged connections. Silver-plated brass is used for the inner conductor. The ends are slotted and a circlip ensures excellent contact. All the support plates are made of high quality teflon (PTFE) that has been controlled and adjusted before manufacturing.



LINE TYPE	ARTICLE	Dim. A	Dim. B	Dim. C
EIA 7/8" unflanged	<b>R078-ISUP-AA00</b>	49,0 mm (1,93 in)	23,8 mm (0,94 in)	5,0 mm (0,20 in)
EIA 7/8" flanged	<b>O78F-ISUP-AO</b>	49,0 mm (1,93 in)	23,8 mm (0,94 in)	4,7 mm (0,19 in)
EIA 1 5/8" unflanged	<b>R158-ISUP-AO</b>	58,5 mm (2,30 in)	28,7 mm (1,13 in)	6,3 mm (0,25 in)
EIA 1 5/8" flanged	<b>158F-ISUP-AO</b>	59,4 mm (2,34 in)	28,4 mm (1,12 in)	6,3 mm (0,25 in)
EIA 3 1/8" unflanged	<b>R318-ISUP-AO</b>	76,3 mm (3,00 in)	45,3 mm (1,78 in)	8,2 mm (0,32 in)
EIA 3 1/8" flanged	<b>318F-ISUP-AO</b>	76,3 mm (3,00 in)	45,3 mm (1,78 in)	9,5 mm (0,37 in)
RL98 unflanged	<b>RL98-ISUP-AO</b>	92,3 mm (3,63 in)	32,2 mm (1,27 in)	8,2 mm (0,32 in)
RL98 flanged	<b>R98F-ISUP-AO</b>	92,3 mm (3,63 in)	32,2 mm (1,27 in)	8,2 mm (0,32 in)
EIA 4 1/2" unflanged	<b>R412-ISUP-AO</b>	108,5 mm (4,27 in)	47,5 mm (1,87 in)	9,4 mm (0,37 in)
EIA 4 1/2" flanged	<b>412F-ISUP-AO</b>	100,6 mm (3,96 in)	45,6 mm (1,80 in)	9,8 mm (0,38 in)
Nax 120 unflanged	<b>R120-ISUP-AO</b>	92,2 mm (3,63 in)	32,2 mm (1,27 in)	8,2 mm (0,32 in)
EIA 6 1/8" unflanged	<b>R618-ISUP-AO</b>	108,0 mm (4,25 in)	63,0 mm (2,48 in)	8,2 mm (0,32 in)
EIA 6 1/8" flanged	<b>618F-ISUP-AO</b>	108,0 mm (4,25 in)	63,0 mm (2,48 in)	11,1 mm (0,44 in)
RL230 unflanged	<b>R230-ISUP-AO</b>	219,8 mm (8,65 in)	139,8 mm (5,50 in)	16,0 mm (0,63 in)
RL230 flanged	<b>230F-ISUP-AO</b>	228,0 mm (8,98 in)	148,0 mm (5,83 in)	25,0 mm (0,98 in)